



VoiceUSB/G10 Quick Start Guide

Thank you for purchasing our device! We hope it will satisfy your expectations and you will enjoy its particular features. Please, find few minutes to read the Quick Start Guide before starting the work. It will make the installation and usage of the device easier.



INTRODUCTION

VoiceUSB device is created correspondingly to up-to-date telecommunications and electronic technologies. In *Trunk* mode *VoiceUSB* emulates the line. Phone calls in GSM network can be received with the connected to the device analogue phone.

When the device is connected to PBX it emulates external line while being in *Trunk* mode.

When the device is connected to PBX it allows phone calls to/from any number in PBX to GSM network and vice versa while being in *Extension* mode.

VoiceUSB device can work as a GSM modem that can create pathway to Internet, exchange data using GPRS, CSD data bearers.

It also gives a user exclusive possibility to change parameters of the device with ordinary telephone using *VoiceUSB Service menu* or with a connected PC with special *VoiceUSB Configuration Tool* software.



PACKAGE CONTENTS

VoiceUSB device is delivered to the client in cardboard box with all required supplements necessary for work. Package consists of:

- Cardboard box.
- *VoiceUSB* device.
- USB A ⇔ USB mini B connection cable.
- AC/DC power supply adapter.
- CD with User Manual and drivers.
- External GSM antenna.
- Components of mounting.

Note: the producer does not provide a SIM card among other items of the package, which is necessary for connection to GSM network! You can obtain a SIM card from your local GSM service provider!

If any of the components are missing, please contact the manufacturer representative or your local distributor.



HOW TO START?

When the *VoiceUSB* device is set to work, that is, SIM card inserted, antenna, phone, analog phone line or PC (depending on needs) and power supply are connected, the *Power* LED is lights on and *Status* LED starts blinking indicating, that the module is preparing for work. The initialization can take up to 20 seconds (it is recommended to wait). During that time, the module checks the SIM card, detects the appropriate GSM network and checks the working parameters. When initialization is done, the *Status* LED becomes constant.

Note. If PIN code request is active on the SIM card, then Error LED starts blinking and phone signal is busy. That means that the module is waiting for the PIN code

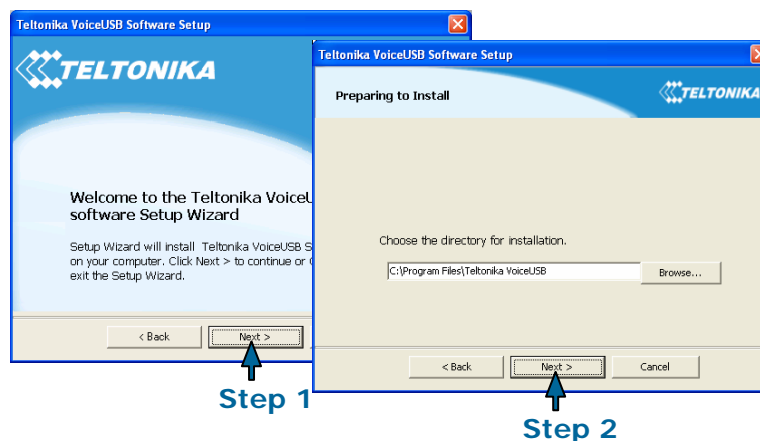


VoiceUSB INSTALLATION AND CONFIGURATION

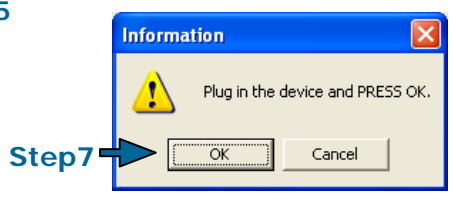
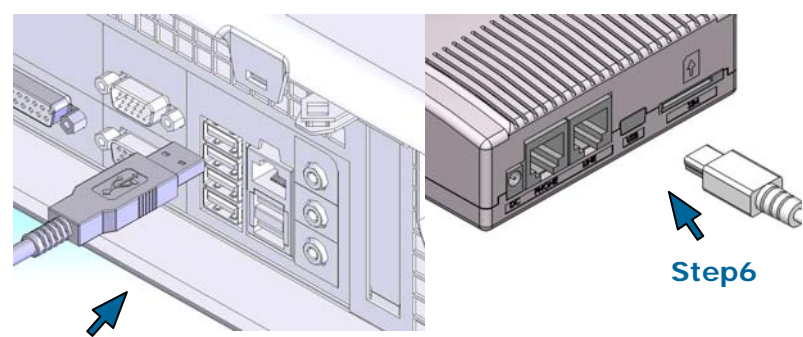
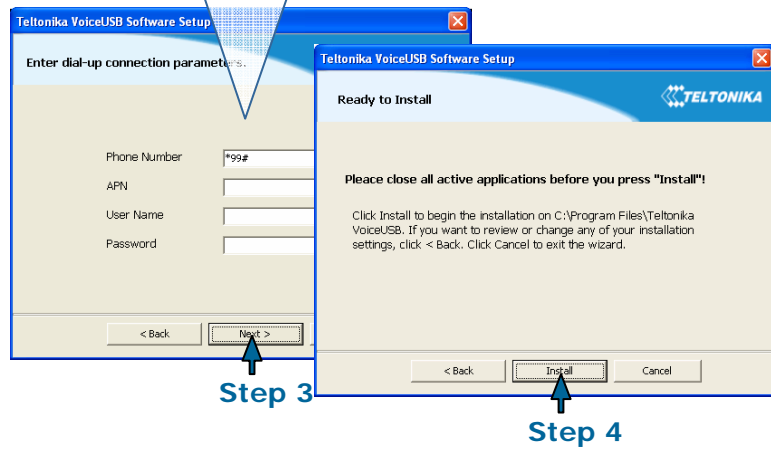
Note: Disconnect VoiceUSB from your PC before installing VoiceUSB software setup.

INSTALLATION

- Insert SIM card into *VoiceUSB*. Make sure the SIM card is inserted properly.
- Connect antenna and power supply.
- Insert CD into the CD-ROM.
- With the help of Installation Wizard, install the software and the drivers.



If you do not have the required information, you can get it from your GSM operator



VoiceUSB SERVICE MENU

VoiceUSB parameters can be changed with the help of ordinary phone. After turning the device on, wait until it gets ready to work. If needed, enter the PIN code.

` ##1111# 1# 1# 0#	Activate <i>Extension</i> mode
##1111# 1# 2# 0#	Activate <i>Trunk</i> mode
##1111# 2# <Country code>#	Coutry selection
##1111# 3# 1# 0#	USB connection in Data mode
##1111# 3# 2# 0#	USB connection in FAX mode
##1111# 4# (2...6) # 0#	Number dial interval
##1111# 5# <New 4 digit menu password> #	<i>Service menu</i> password changing
##1111# 6# 1# 0#	Manual PIN code entering
##1111# 6# 2# 0#	Automatic PIN code entering
##1111# 6# 3# <New 4 digits PIN code># 0#	PIN coe entering to memory
##1111# 7# 1# 0#	Caller ID type disable
##1111# 7# 2# 0#	FSK format
##1111# 7# 3# 0#	DTMF format
##1111# 8# 1# 0#	Number prefix blocking enable
##1111# 8# 2# 0#	Number prefix blocking disable
##1111# 8# 3# <Prefix># 0#	Prefix blocking entering
##1111# 9# 1#	Polarity reverse enable

##1111# 9# 2#	Polarity reverse disable
##1111# 10# 1# 0#	Minute notification on (1min.)
##1111# 10# 2# 0#	Minute notification off
##1111# 11# <Level value>#	DTMF sensitivity in <i>Extension</i> mode
##1111# 12# 1# 0#	Prefix blocking enable
##1111# 12# 2# 0#	Prefix blocking disable
##1111# 12# 3# (0 ... 9) # <Prefix> # 0#	Prefix adding
##1111# 12# 4# (0 ... 9) # 0#	Prefix deleting
##1111# 13# 1# 0#	Number blocking enabled
##1111# 13# 2# 0#	Number blocking disabled
##1111# 13# 3# (0 ... 9) # <Number> # 0#	Number adding to the list
##1111# 13# 4# (0 ... 9) # 0#	Number deleting from the list
##1111# 14# 1# 0#	Allow numbers list enable
##1111# 14# 2# 0#	Allow numbers list disable
##1111# 14# 3# (0...9) # Number # 0#	Add allowed numbers to the list
##1111# 14# 4# (0...9) # 0#	Delete allowed numbers from the list
##1111# 99#	Restore default settings



INDICATION

Status	Description
<i>Power</i> LED is on	Power supply on
<i>Status</i> blinking	Device is preparing for work
<i>Status</i> on	Device is ready to work (GSM network is detected, general configurations are made)
<i>Mode</i> blinking	Device is connected to the Internet
<i>Mode</i> on	USB interface connected to the device
<i>On/Hook</i> LED on	Phone is picked up
<i>Error</i> LED blinking	Device is awaiting for PIN code
Error LED on	SIM card not found
Status, Mode, On/Hook, Error blinking	Wrong PIN code



IMPORTANT



This sign on the package means that it is necessary to read the User's Manual, which is on the CD, before you start using the device.



This sign on the package means that all used electronic and electric equipment should be stored separately.



FINAL NOTES

For more detailed information about the device, please read the documentation which is found on the CD. If you encounter any problems using the device and you are not able to solve them yourself, please contact our technical support department by e-mail support@teltonika.lt We will be glad to help you.